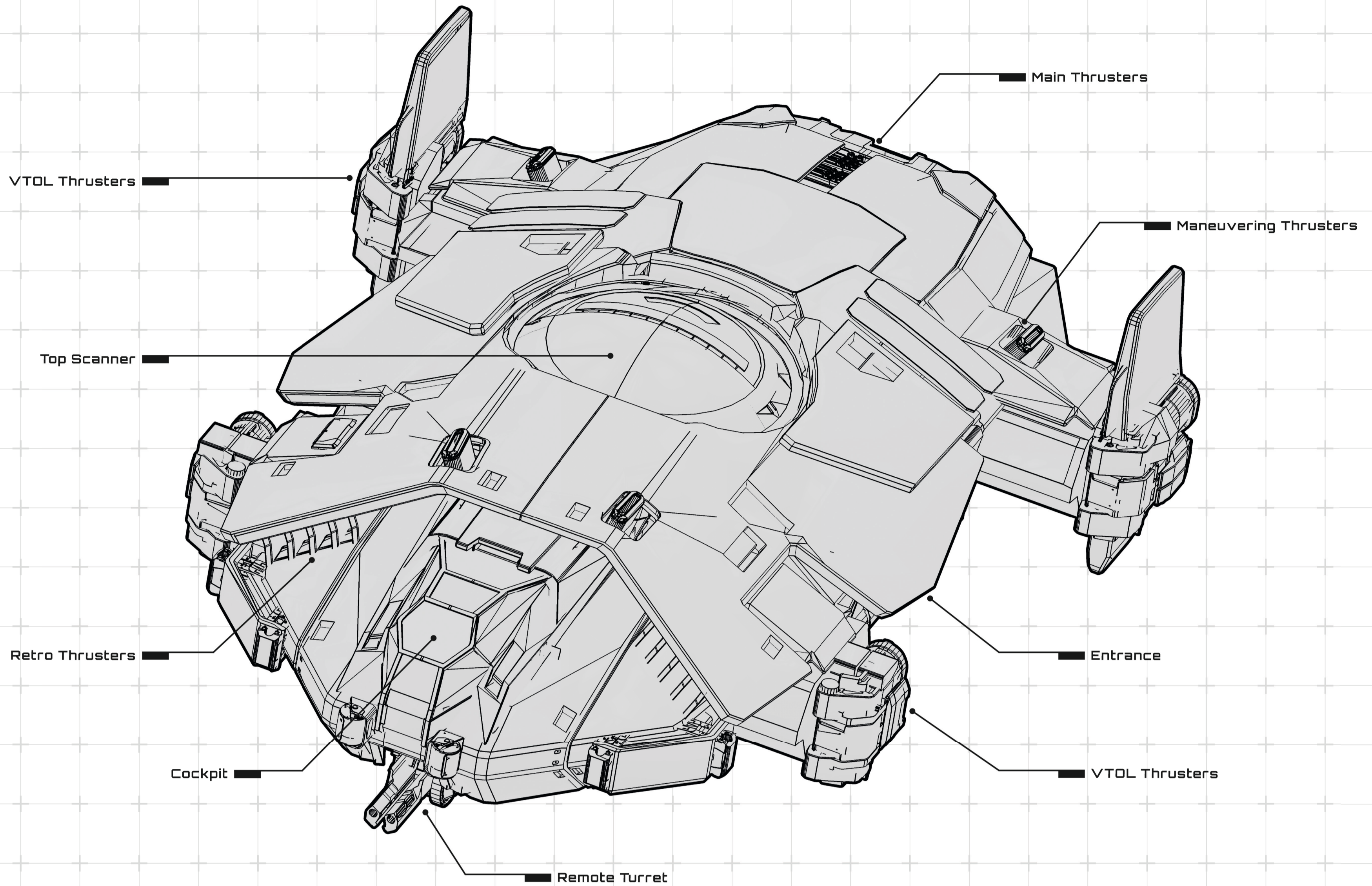
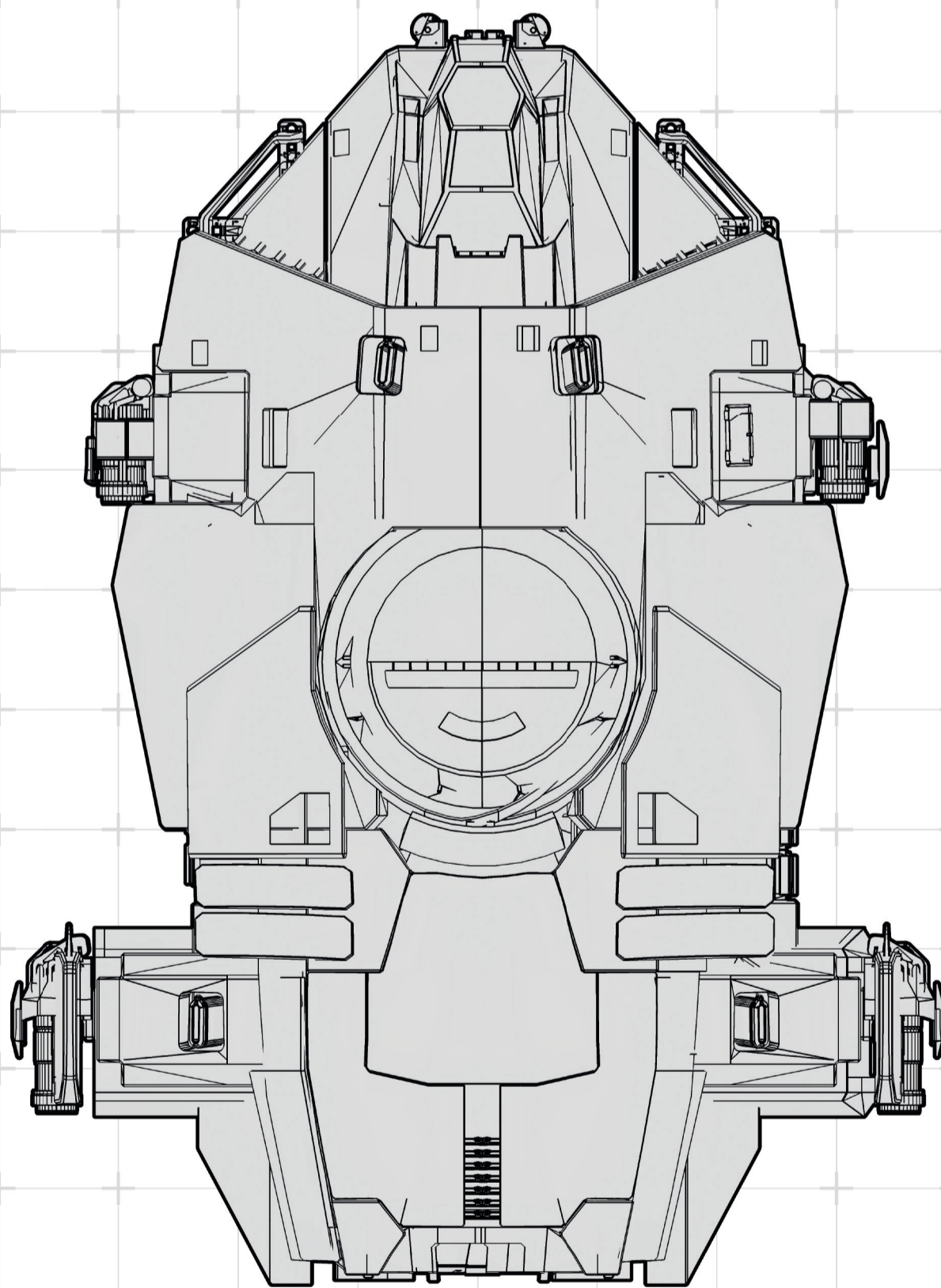




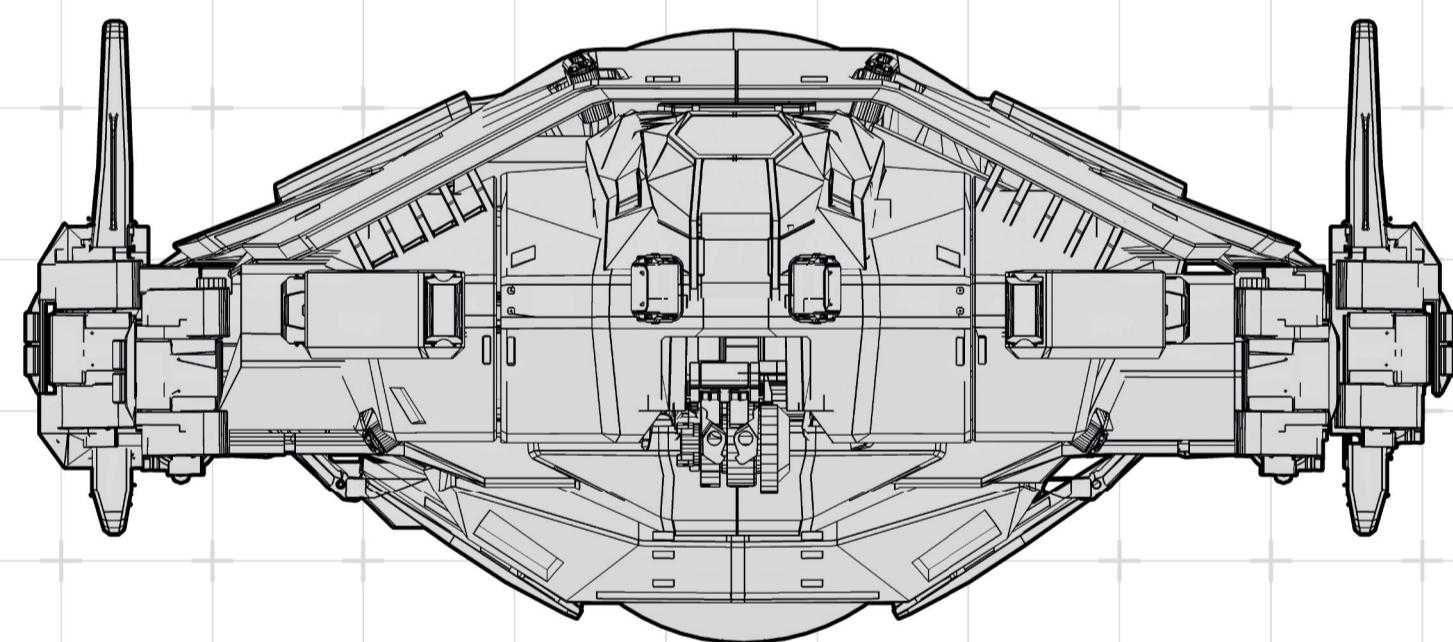
# TERRAPIN



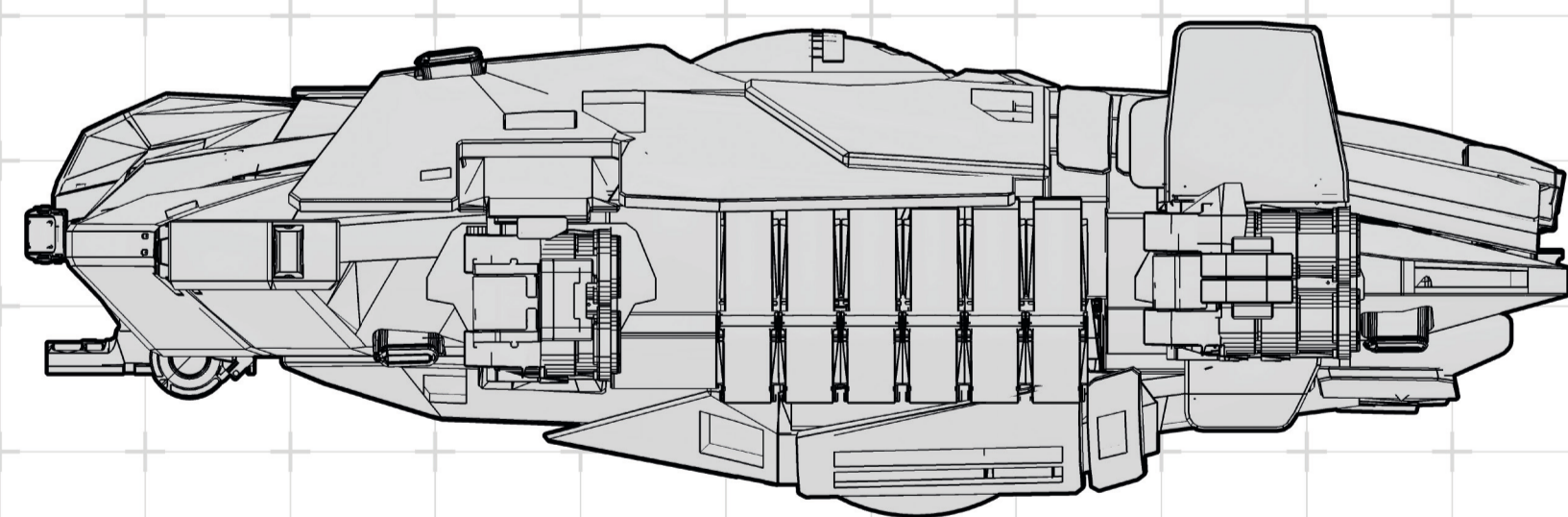
TOP VIEW



FRONT VIEW



SIDE VIEW



DATA SHEET

**WARNING**

This document contains technical data whose export is restricted under the Intelligence and Secrets Act. Violations of these export laws are subject to severe criminal penalties.



DOCUMENT ID:  
PUBLISHED UNDER AUTHORITY  
OF UEE HIGH COMMAND

AA-2948-03-51-8155



DISCLAIMER: Non commercial fan-art, copyright of images and logos by Cloud Imperium Games Corporation. Star Citizen(r) is a registered trademark of Cloud Imperium Rights LLC. Source: www.robertsspaceindustries.com. Poster design by www.christophrupsch.de | Handle: Olaf\_Jaeger